

Nano N3061

Intel 10th generation Core™ i3/i5/i7
processor



Features:

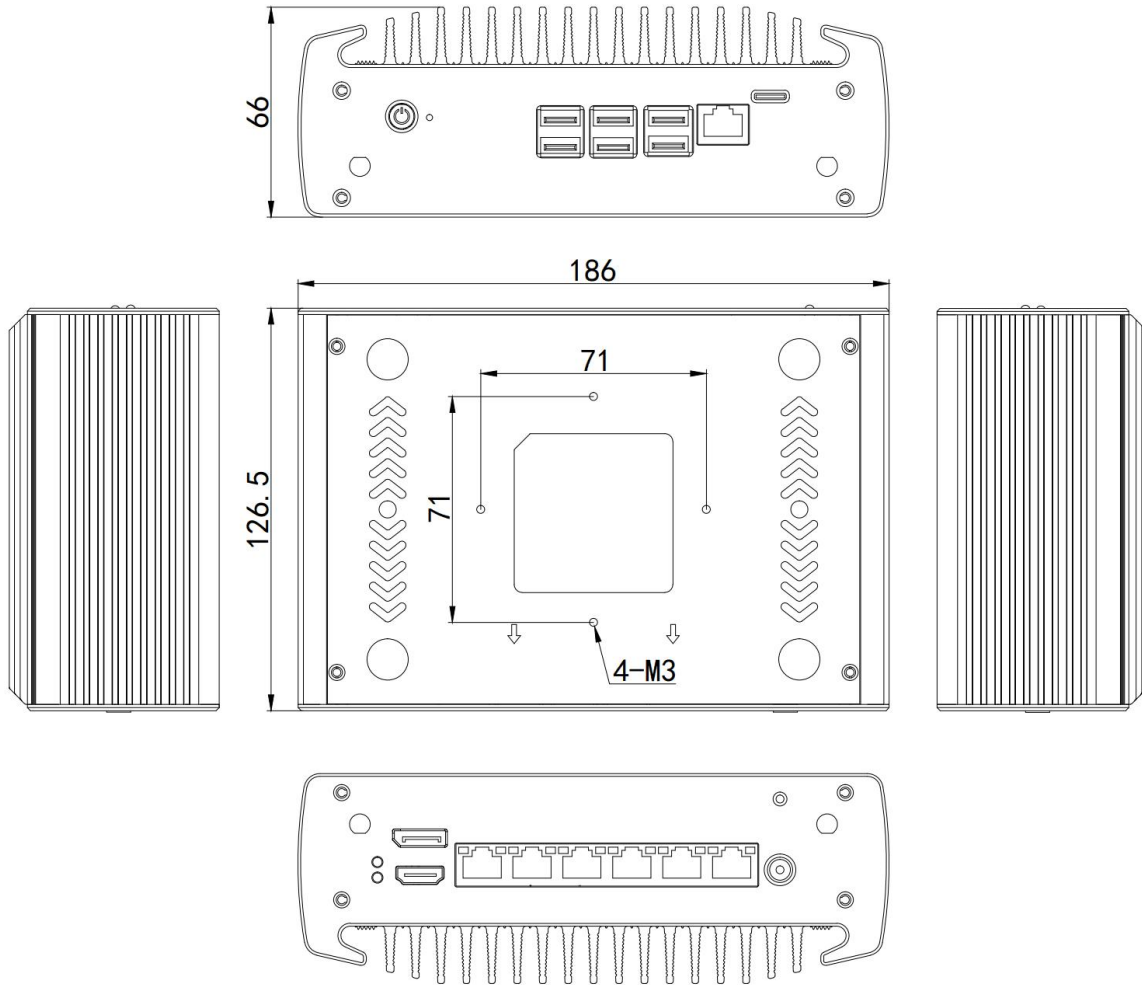
- ◇ All aluminum structure, Fanless design;
- ◇ Onboard Intel 10th Generation Core i5/i7;
- ◇ Support 6*Intel i225-V 2.5G(4*POE is optional);
- ◇ Support 1*M.2 3052 B-key, 5G modem is optional;
- ◇ Support 3*M.2 slots (Support WIFI and 4G or 5G) ;
- ◇ Support 2*DDR4 RAM Slot, Max Support 64G;
- ◇ Support TPM 2.0 security encryption;
- ◇ Applied OS:



Specification

Model	Nano N3061
Color	Onboard Metal gray(color can be customized)
Material	High-quality all aluminum, Surface anodic oxidation
Processor	Onboard Intel Core i3 10110U(Dual core, 4 threads, 2.1GHz, Max.Turbo 4.1GHz) Onboard Intel Core i5 10210U(Quad core, 8 threads, 1.6GHz, Max.Turbo 4.2GHz)
RAM	Support 2*DDR4 266MHz SOIMM RAM slot, Max. 64GB
BIOS	AMI EFI BIOS
Display Chip	Integrated Intel UHD Graphics
Display Port	Support 1*DP, 1*HDMI (Support synchronous/asynchronous dual display, DP can up to 4096*2160@60Hz)
Front I/O	Support 3*USB3.0, 3*USB2.0, 1*Power Switch, 1*RJ45 COM (Support Console)
Rear I/O	Support 6* RJ45 1000M Lan, 1*DC, 1*DP, 1*HDMI
Expansion	Support 1*M.1 2280 M-Key slot (support SATA protocol and NVME protocol) Support 1*M.2 3052 B-Key slot (support USB3.0 protocol, support 4G/5G) , 1* Nano-SIM slot on the plate Support 1*M.2 2230 E-Key slot (support WIFI / Bluetooth)
Network	Support 6*Intel i225-V 2.5G Lans (LAN 3-6 can be 802.3af standard POE lan optional)
Storage	Support 1*M.2, 1*2.5"SSD/HDD, support RAID 0/1
Input Voltage	Support DC 12V Input
Other Function	Auto power on when there is electricity, Timing boot, Wake on LAN, PXE boot, Watchdog (0~255 level)
Work Temp	0℃ ~ +50℃ (Commercial HDD) , -20℃ ~ +50℃ ((Industrial SSD) , Surface air flow
Work Humidity	0% ~ 95% non-condensing
Certificates	CE, CCC, FCC Class A, ROHS
Dimension	186 * 126.5 * 66 mm
Net Weight	1.3 kg
Application	Firewall, VPN, Network server, Network security, Router etc.

Nano N3061 Drawing



Accessory

Name	Quantity	Specification
Power Adapter	1	i3/i5 with 12V 5A i7 with 12V 7.5A
Power Cord	1	Any Plug Optional (China, US, EU, UK etc.)
VESA Bracket	1	Standard

Order Information

Configuration	Processor	Network
Configuration 1	Intel Core i3 10110U	Standard/2.5G lan
Configuration 2	Intel Core i5 10210U	Standard/2.5G lan
Configuration 3	Intel Core i7 10810U	Standard/2.5G lan

Remarks: 1. Since the 5G module requires four antennas, 2 WIFI holes on the panel need to be added to use WIFI and 5G at the same time;

2. The POE function needs to be equipped with a POE power supply module; please consult the pre-sales technical personnel for details.